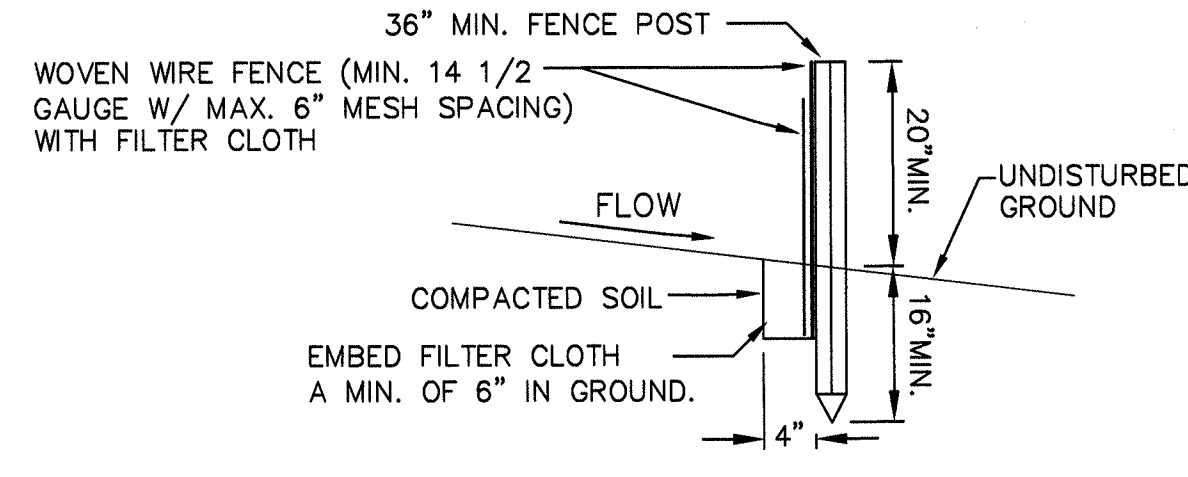


**PERSPECTIVE VIEW**



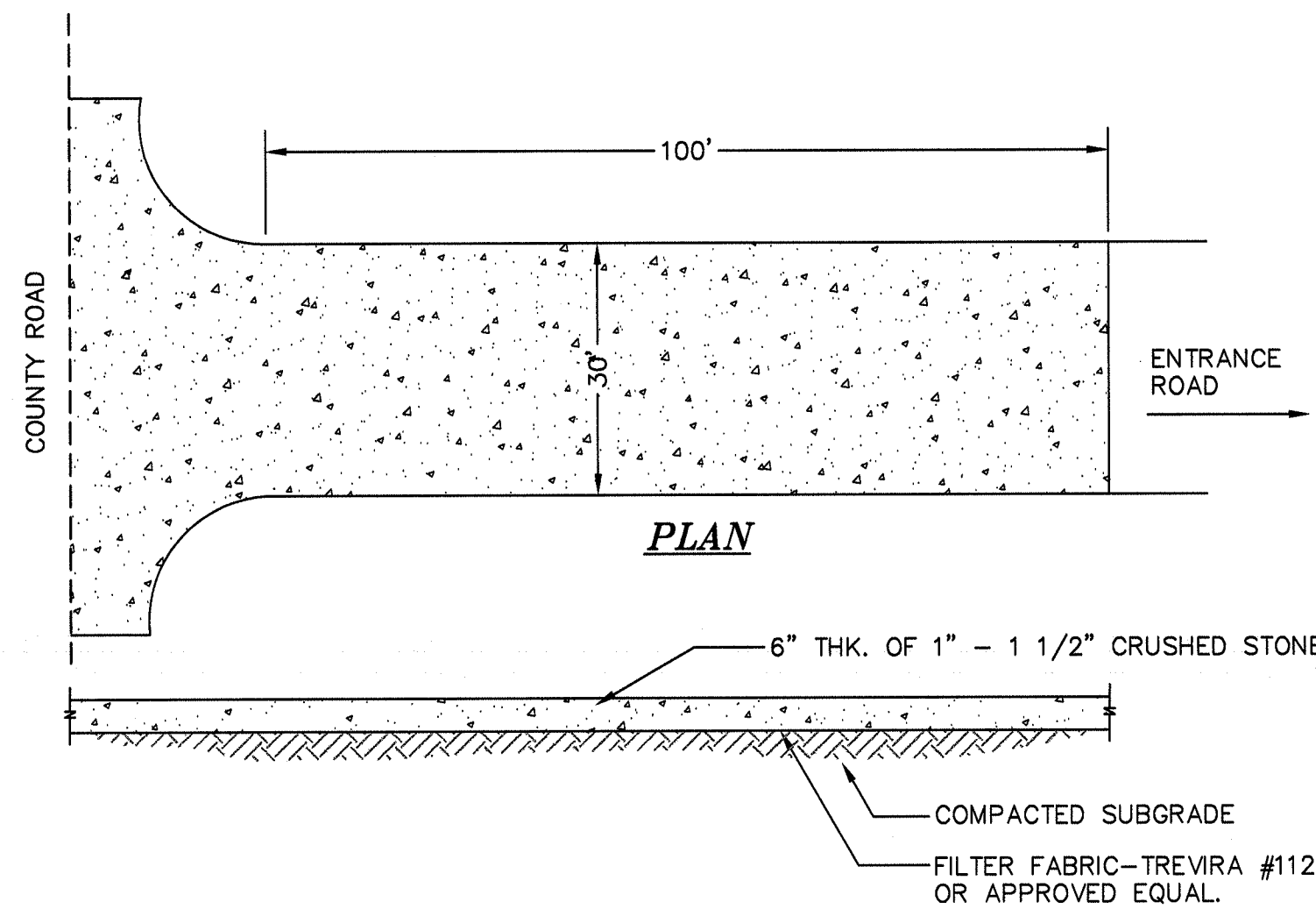
**SECTION VIEW**

**CONSTRUCTION SPECIFICATIONS**

- WOVEN WIRE FENCE TO BE FASTENED SECURELY TO FENCE POSTS WITH WIRE TIES OR STAPLES. POSTS SHALL BE STEEL EITHER "T" OR "U" TYPE OR HARDWOOD.
- FILTER CLOTH TO BE FASTENED SECURELY TO WOVEN WIRE FENCE WITH TIES SPACED EVERY 24" AT TOP AND MID SECTION. FENCE SHALL BE WOVEN WIRE, 12 1/2 GAUGE, 6" MAXIMUM MESH OPENING.
- WHEN TWO SECTIONS OF FILTER CLOTH ADJOIN EACH OTHER THEY SHALL BE OVERLAPPED BY SIX INCHES AND FOLDED. FILTER CLOTH SHALL BE EITHER FILTER X, MIRAFI 100X, STABILINKA T140N, OR APPROVED EQUIVALENT.
- PREFABRICATED UNITS SHALL BE GEOFAB, ENVIROFENCE, OR APPROVED EQUIVALENT.
- MAINTENANCE SHALL BE PERFORMED AS NEEDED AND MATERIAL REMOVED WHEN "BULGES" DEVELOP IN THE SILT FENCE.

**SILTATION FENCE**

NOT TO SCALE



**SECTION**

NOTE: ENTRANCE SHALL BE MAINTAINED AS CONDITIONS DEMAND TO PREVENT TRACKING OF SEDIMENT ONTO PUBLIC RIGHTS OF WAY.

**STABILIZED CONSTRUCTION ENTRANCE**

NOT TO SCALE

ALL SEDIMENTATION STRUCTURES WILL BE INSPECTED AND MAINTAINED ON A REGULAR BASIS. A CRUSHED STONE, VEHICLE WHEEL-CLEANING BLANKET WILL BE INSTALLED WHENEVER A CONSTRUCTION ACCESS ROAD INTERSECTS ANY PAVED ROADWAY. SAID BLANKET WILL BE COMPOSED OF 6" DEPTH OF 1"-1 1/2" CRUSHED STONE, WILL BE AT LEAST 30' X 100' AND SHOULD BE PLACED ON COMPACTED SUB-GRADE AND SHALL BE MAINTAINED.

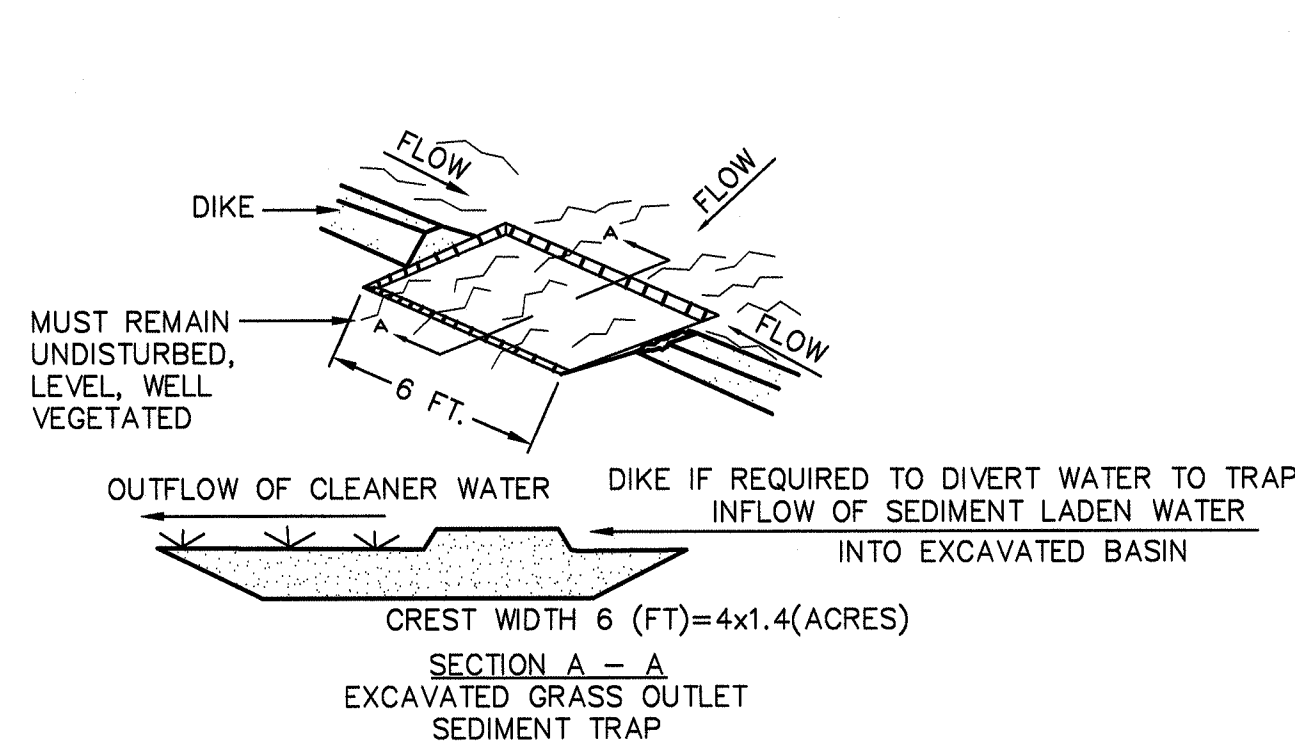
ALL DRIVEWAYS MUST BE STABILIZED WITH 1" - 1 1/2" CRUSHED STONE OR SUB-BASE PRIOR TO INDIVIDUAL HOME CONSTRUCTION.

PAVED ROADWAYS MUST BE KEPT CLEAN AT ALL TIMES.

ALL CATCH BASIN INLETS WILL BE PROTECTED WITH A CRUSHED STONE OR HAYBALE FILTER (FILTER DETAILS APPEAR ON PLAN).

ALL STORM DRAINAGE OUTLETS WILL BE STABILIZED, AS REQUIRED, BEFORE DISCHARGE POINTS BECOME OPERATIONAL.

ALL SOIL EROSION AND SEDIMENT CONTROL STRUCTURES MUST BE DETAILED ON THE PLAN.

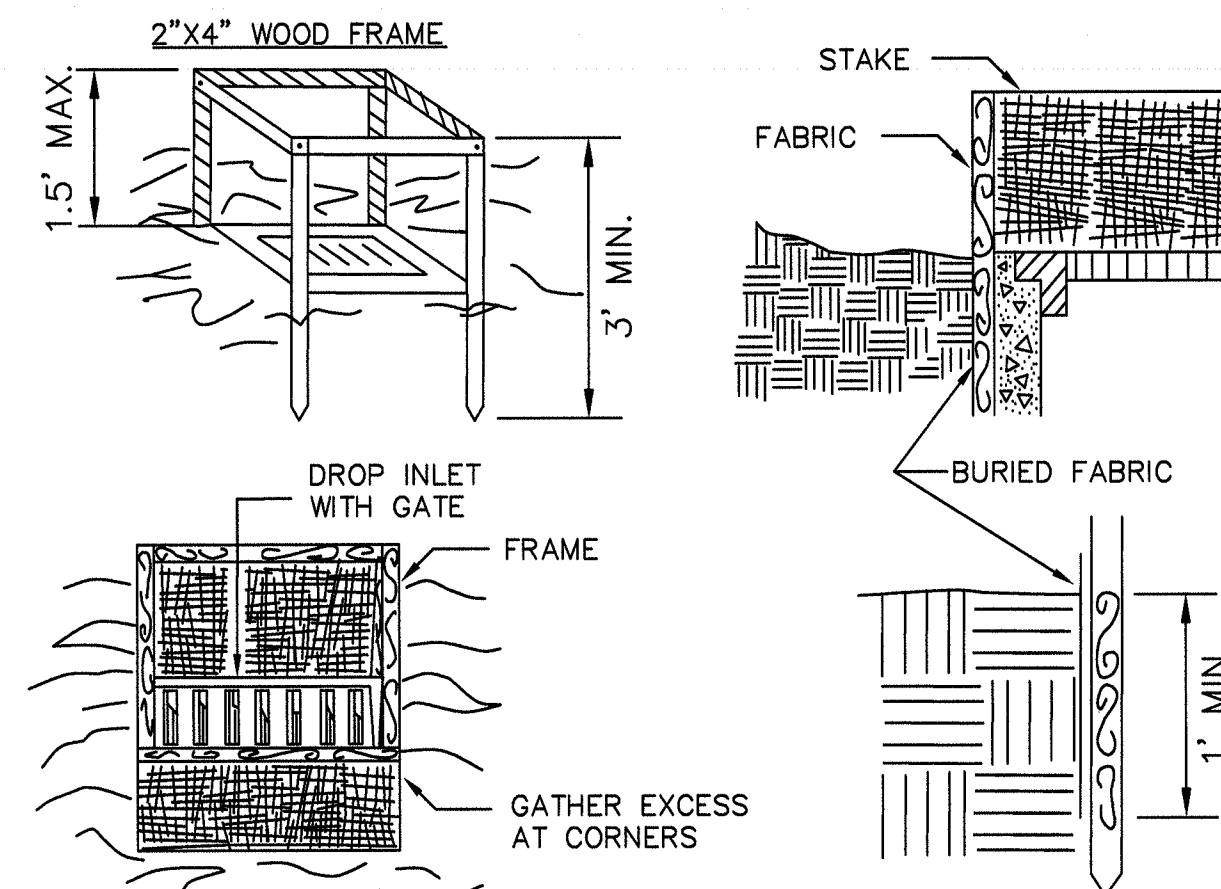


**CONSTRUCTION SPECIFICATIONS**

- VOLUME OF SEDIMENT STORAGE SHALL BE 3600 CUBIC FEET PER ACRE OF CONTRIBUTORY DRAINAGE AREA.
- MINIMUM CREST WIDTH SHALL BE 4 X 1.4 ACRES
- SEDIMENT SHALL BE REMOVED AND TRAP RESTORED TO ITS ORIGINAL DIMENSIONS WHEN THE SEDIMENT HAS ACCUMULATED TO 1/2 THE DESIGN DEPTH OF THE TRAP. REMOVED SEDIMENT SHALL BE DEPOSITED IN A SUITABLE AREA AND IN SUCH A MANNER THAT IT WILL NOT ERODE.
- THE STRUCTURE SHALL BE INSPECTED AFTER EACH RAIN AND REPAIRS MADE AS NEEDED.
- CONSTRUCTION OPERATIONS SHALL BE CARRIED OUT IN SUCH A MANNER THAT EROSION AND WATER POLLUTION SHALL BE MINIMIZED.
- THE SEDIMENT TRAP SHALL BE REMOVED AND AREA STABILIZED WHEN THE REMAINING DRAINAGE AREA HAS BEEN PROPERLY STABILIZED.
- ALL OUT SLOPES SHALL BE 1:1 OR FLATTER. MAXIMUM DRAINAGE AREA: 5 ACRES

**GRASS OUTLET SEDIMENT TRAP**

NOT TO SCALE



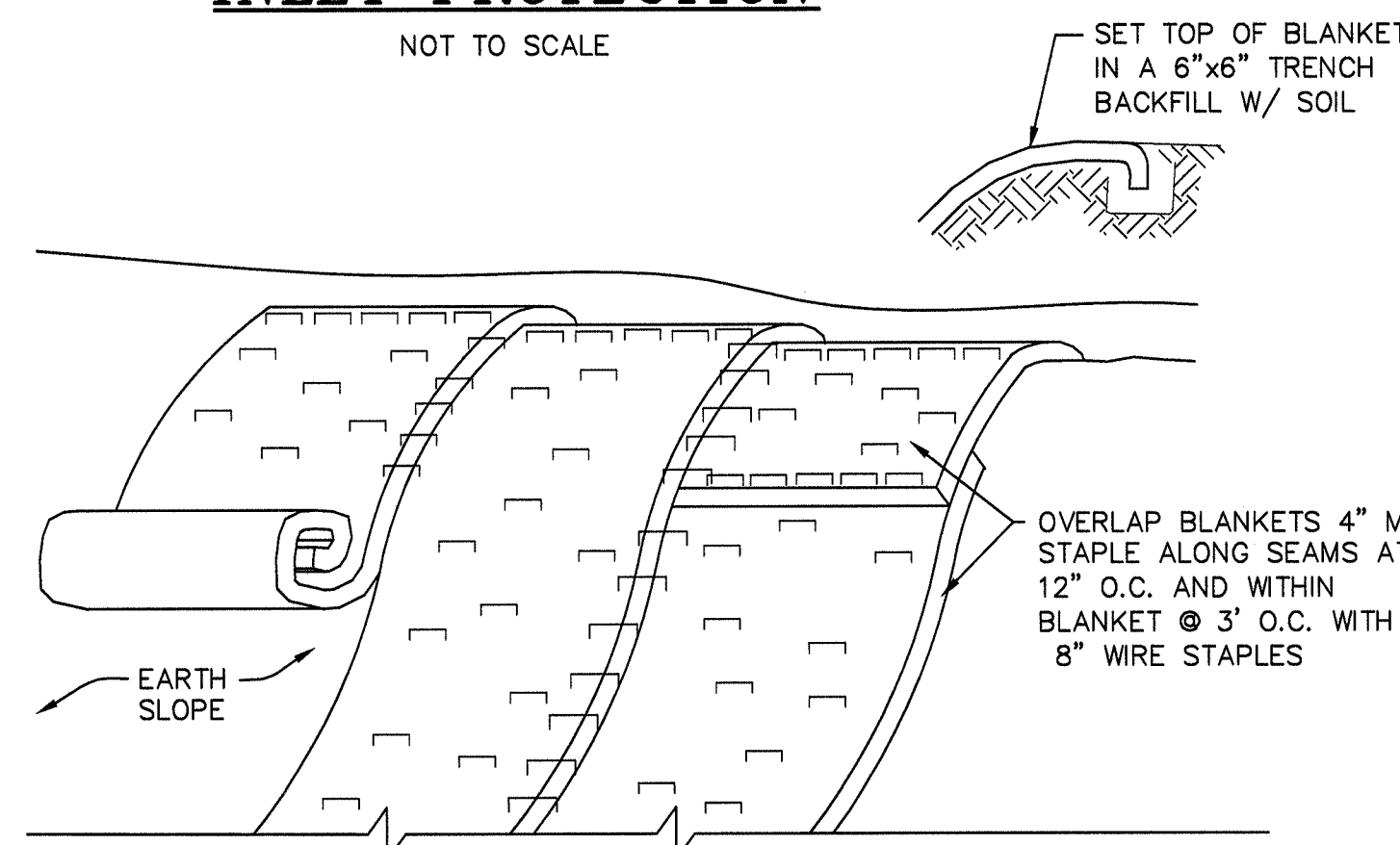
**CONSTRUCTION SPECIFICATIONS**

- FILTER FABRIC SHALL HAVE AN EOS OF 40-85. BURLAP MAY BE USED FOR SHORT TERM APPLICATIONS.
- CUT FABRIC FROM A CONTINUOUS ROLL TO ELIMINATE JOINTS. IF JOINTS ARE NEEDED THEY WILL BE OVERLAPPED TO THE NEXT STAKE.
- STAKE MATERIALS WILL BE STANDARD 2"x4" WOOD OR EQUIVALENT. METAL WITH A MINIMUM LENGTH OF 3 FEET.
- SPACE STAKES EVENLY AROUND INLET 3 FEET APART AND DRIVE A MINIMUM 18 INCHES DEEP. SPANS GREATER THAN 3 FEET MAY BE BRIDGED WITH THE USE OF WIRE MESH BEHIND THE FILTER FABRIC FOR SUPPORT.
- FABRIC SHALL BE EMBEDDED 1 FOOT MINIMUM BELOW GROUND AND BACKFILLED. IT SHALL BE SECURELY FASTENED TO THE STAKES AND FRAME.
- A 2"x4" WOOD FRAME SHALL BE COMPLETED AROUND THE CREST OF THE FABRIC FOR OVER FLOW STABILITY.

MAXIMUM DRAINAGE AREA 1 ACRE

**FILTER FABRIC DROP INLET PROTECTION**

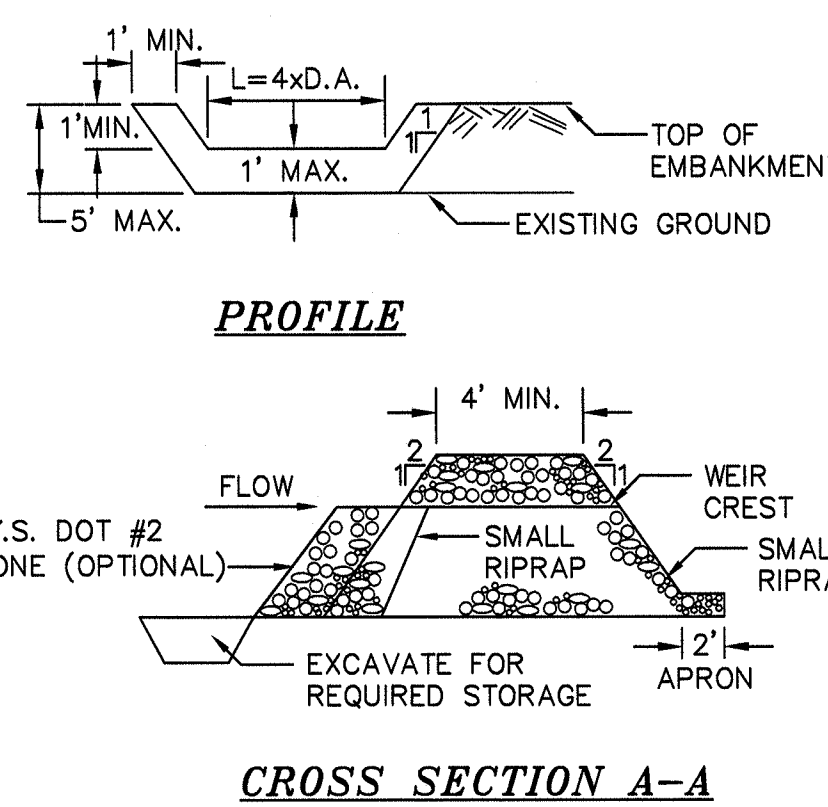
NOT TO SCALE



**SLOPE STABILIZATION DETAIL**

NOTES:

- SLOPE STABILIZATION TO BE USED ON ALL CREATED OR DISTURBED SLOPES GREATER THAN 25%.
- STABILIZE PREPARED EARTHEN SLOPE WITH A BIODEGRADABLE NATURAL FIBER NETTING. APPROVED TYPES AS FOLLOWS:
  - S150BN - NORTH AMERICAN GREEN 1-800-772-2040
  - ECS-2B - EAST COAST EROSION BLANKET 1-800-582-4005
  - APPROVED EQUAL
- ALL SLOPE RESTORATION MUST INCLUDE 4" TOPSOIL.
- PREPARE THE SOIL SURFACE INCLUDING RAKING, SEEDING AND FERTILIZING PRIOR TO INSTALLING EROSION CONTROL NETTING.
- AFTER NETTING IS INSTALLED, PLANT ANY PROPOSED LANDSCAPING/GROUND COVER THROUGH SLITS CUT IN FABRIC.



**CROSS SECTION A-A**

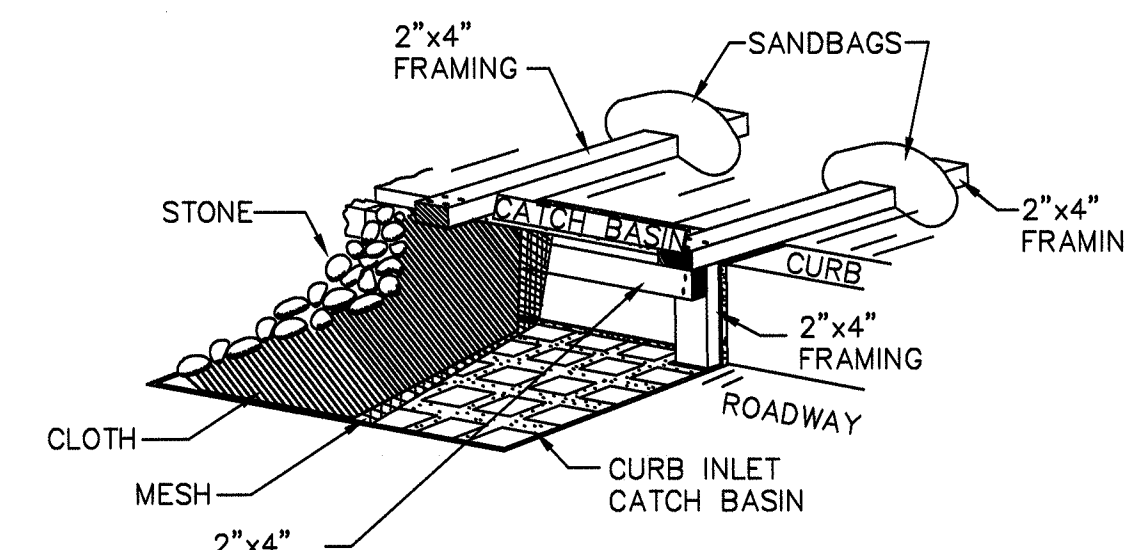
OPTION: A ONE FOOT LAYER OF N.Y.S. DOT #2 STONE MAY BE PLACED ON THE UPSTREAM SIDE OF THE RIPRAP IN PLACE OF THE EMBEDDED FILTER CLOTH.

**CONSTRUCTION SPECIFICATIONS**

- AREA UNDER EMBANKMENT SHALL BE CLEARED, GRUBBED AND STRIPPED OF ANY VEGETATION AND ROOT MAT. THE POOL AREA SHALL BE CLEARED.
- THE FILL MATERIAL FOR THE EMBANKMENT SHALL BE FREE OF ROOTS AND OTHER WOODY VEGETATION AS WELL AS OVER-SIZED STONES, ROCKS, ORGANIC MATERIAL OR OTHER OBJECTIONABLE MATERIAL. THE EMBANKMENT SHALL BE COMPACTED BY TRAVERSING WITH EQUIPMENT WHILE IT IS BEING CONSTRUCTED.
- ALL CUT AND FILL SLOPES SHALL BE 2:1 OR FLATTER.
- THE STONE USED IN THE OUTLET SHALL BE SMALL RIPRAP 4"-8" ALONG WITH A 1" THICKNESS OF 2" AGGREGATE PLACED ON THE UP-GRADE SIDE ON THE SMALL RIPRAP OR EMBEDDED FILTER CLOTH IN THE RIPRAP.
- SEDIMENT SHALL BE REMOVED AND TRAP RESTORED TO ITS ORIGINAL DIMENSIONS WHEN THE SEDIMENT HAS ACCUMULATED TO 1/2 THE DESIGN DEPTH OF THE TRAP.
- THE STRUCTURE SHALL BE INSPECTED AFTER EACH RAIN AND REPAIRS MADE AS NEEDED.
- CONSTRUCTION OPERATIONS SHALL BE CARRIED OUT IN SUCH A MANNER THAT EROSION AND WATER POLLUTION IS MINIMIZED.
- THE STRUCTURE SHALL BE REMOVED AND THE AREA STABILIZED WHEN THE DRAINAGE AREA HAS BEEN PROPERLY STABILIZED. MAXIMUM DRAINAGE AREA 5 ACRES.

**STONE OUTLET SEDIMENT TRAP ST-IV DETAIL**

NOT TO SCALE



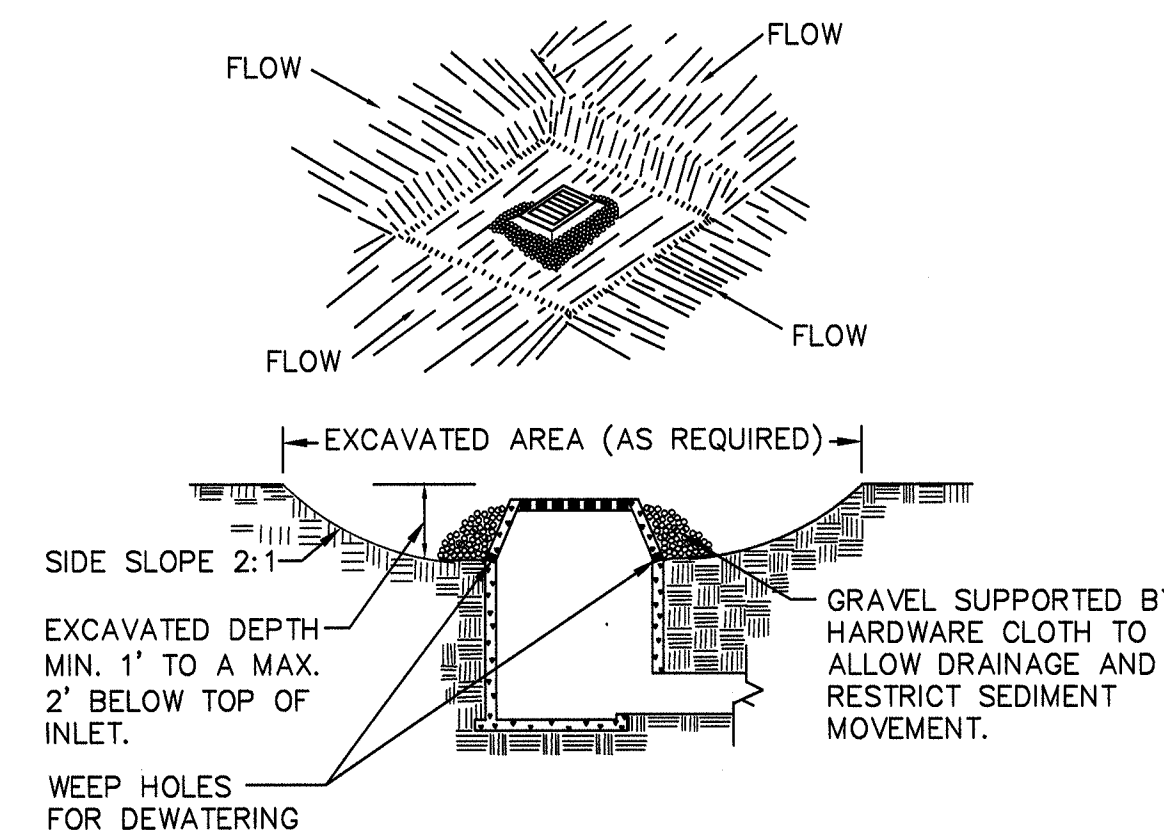
**CONSTRUCTION SPECIFICATIONS**

- FILTER FABRIC SHALL HAVE AN EOS OF 40-85.
- WOODEN FRAME SHALL BE CONSTRUCTED OF 2"x4" CONSTRUCTION GRADE LUMBER.
- THE ASSEMBLY SHALL BE PLACED AGAINST THE INLET AND SECURED BY 2"x4" ANCHORS 2 FEET LONG EXTENDING ACROSS THE TOP OF THE CURB AND SIDEWALK AND HELD IN PLACE BY SANDBAGS OR ALTERNATE WEIGHTS.

MAXIMUM DRAINAGE AREA 1 ACRE

**STORM DRAIN INLET FILTER DETAIL FOR CURB INLETS**

NOT TO SCALE

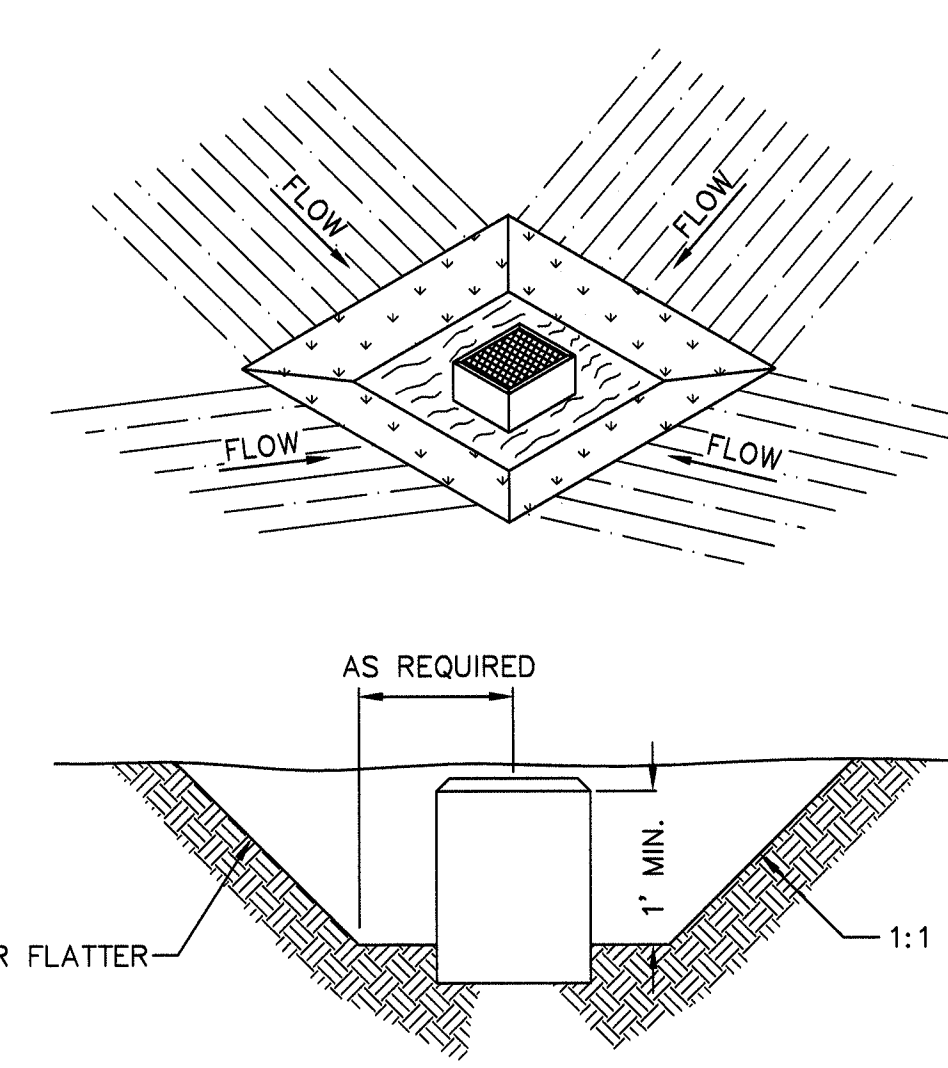


**EXCAVATED DROP INLET PROTECTION**

NOT TO SCALE

**CONSTRUCTION SPECIFICATIONS**

- CLEAR THE AREA OF ALL DEBRIS THAT WILL HINDER EXCAVATION.
- GRADE APPROACH TO THE INLET UNIFORMLY AROUND THE BASIN.
- WEEP HOLES SHALL BE PROTECTED BY GRAVEL.
- UPON STABILIZATION OF CONTRIBUTING DRAINAGE AREA, SEAL WEEP HOLES, FILL BASIN WITH STABLE SOIL TO FINAL GRADE, COMPACT IT PROPERLY AND STABILIZE WITH PERMANENT SEEDING.
- MAXIMUM DRAINAGE AREA 1 ACRE



**CATCH BASIN SEDIMENT TRAP**

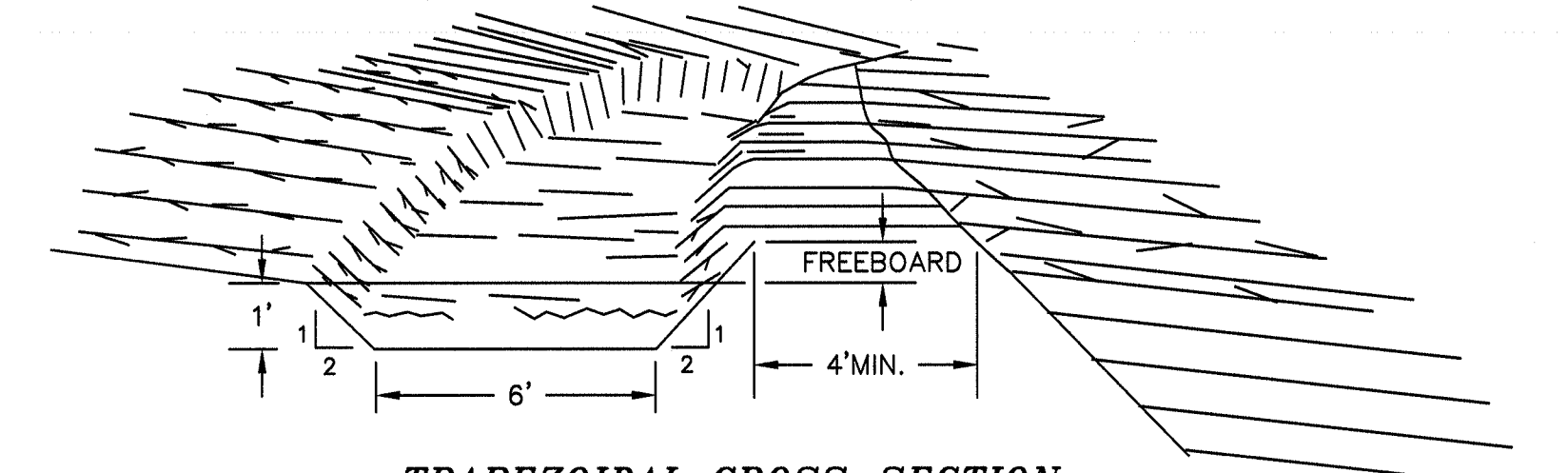
NOT TO SCALE

**CONSTRUCTION SPECIFICATION FOR ST-III**

- SEDIMENT SHALL BE REMOVED AND THE TRAP RESTORED TO ITS ORIGINAL DIMENSIONS WHEN THE SEDIMENT HAS ACCUMULATED TO 1/2 THE DESIGN DEPTH OF THE TRAP. REMOVED SEDIMENT SHALL BE DEPOSITED IN A SUITABLE AREA AND IN SUCH A MANNER THAT IT WILL NOT ERODE.
- THE VOLUME OF SEDIMENT STORAGE SHALL BE 3600 CUBIC FEET PER ACRE OF CONTRIBUTORY DRAINAGE. THE MAXIMUM DRAINAGE AREA IS 3 ACRES.
- THE STRUCTURE SHALL BE INSPECTED AFTER EACH RAIN AND REPAIRS MADE AS NEEDED.
- CONSTRUCTION OPERATIONS SHALL BE CARRIED OUT IN SUCH A MANNER THAT EROSION AND WATER POLLUTION SHALL BE MINIMIZED.
- THE SEDIMENT TRAP SHALL BE REMOVED AND THE AREA STABILIZED WHEN THE CONSTRUCTED DRAINAGE AREA HAS BEEN PROPERLY STABILIZED.
- ALL CUT SLOPES SHALL BE 1:1 OR FLATTER.

**EROSION AND SEDIMENT CONTROL NOTES AND SPECIFICATIONS**

- ALL GRADED OR DISTURBED AREAS INCLUDING SLOPES SHALL BE PROTECTED DURING CLEARING AND CONSTRUCTION IN ACCORDANCE WITH THE APPROVED SEDIMENT CONTROL PLAN UNTIL THEY ARE PERMANENTLY STABILIZED.
- ALL SEDIMENT CONTROL PRACTICES AND MEASURES SHALL BE CONSTRUCTED, APPLIED AND MAINTAINED IN ACCORDANCE WITH THE APPROVED SEDIMENT CONTROL PLAN AND THE NEW YORK STATE STANDARDS AND SPECIFICATIONS FOR SOIL EROSION AND SEDIMENT CONTROL.
- TOPSOIL REQUIRED FOR THE ESTABLISHMENT OF VEGETATION SHALL BE STOCKPILED IN AMOUNT NECESSARY TO COMPLETE FINISHED GRADING OF ALL DISTURBED AREAS.
- AREAS TO BE FILLED SHALL BE CLEARED, GRUBBED, AND STRIPPED OF TOPSOIL TO REMOVE TREES, VEGETATION, ROOTS OR OTHER OBJECTIONABLE MATERIAL.
- AREAS WHICH ARE TO BE TOPSOILED SHALL BE SCARIFIED TO A MINIMUM DEPTH OF FOUR INCHES PRIOR TO PLACEMENT OF TOPSOIL.
- ALL FILLS SHALL BE COMPACTED AS REQUIRED TO REDUCE EROSION, SLIPPAGE, SETTLEMENT, SUBSIDENCE OR OTHER RELATED PROBLEMS. FILL INTENDED TO SUPPORT BUILDINGS, STRUCTURES AND CONDUITS, ETC. SHALL BE COMPACTED IN ACCORDANCE WITH LOCAL REQUIREMENTS OR CODES.
- ALL FILL TO BE PLACED AND COMPACTED IN LAYERS NOT TO EXCEED 9 INCHES IN THICKNESS.
- EXCEPT FOR APPROVED LANDFILLS, FILL MATERIAL SHALL BE FREE OF FROZEN PARTICLES, BRUSH, ROOTS, SOD, OR OTHER FOREIGN OR OTHER OBJECTIONABLE MATERIALS THAT WOULD INTERFERE WITH OR PREVENT CONSTRUCTION OF SATISFACTORY FILLS.
- FROZEN MATERIALS OR SOFT, MUKY OR HIGHLY COMPRESSIBLE MATERIALS SHALL NOT BE INCORPORATED IN FILLS.
- FILL SHALL NOT BE PLACED ON SATURATED OR FROZEN SURFACES.
- ALL BENCHES SHALL BE KEPT FREE OF SEDIMENT DURING ALL PHASES OF DEVELOPMENT.
- SEEPS OR SPRINGS ENCOUNTERED DURING CONSTRUCTION SHALL BE HANDLED IN ACCORDANCE WITH THE STANDARD AND SPECIFICATION FOR SUBSURFACE DRAIN OR OTHER APPROVED METHOD.
- ALL GRADED AREAS SHALL BE PERMANENTLY STABILIZED IMMEDIATELY FOLLOWING FINISHED GRADING.
- STOCKPILES, BORROW AREAS AND SPILL AREAS SHALL BE SHOWN ON THE PLANS AND SHALL BE SUBJECT TO THE PROVISIONS OF THIS STANDARD AND SPECIFICATION.
- SEED ALL DISTURBED AREAS WHICH WILL REMAIN UNDISTURBED FOR A PERIOD OF 15 DAYS OR MORE WHICH WILL NOT BE UNDER CONSTRUCTION WITHIN 30 DAYS WITH TEMPORARY RYEGRASS COVER, AS FOLLOWS (METHOD OF SEEDING IS OPTIONAL):
  - LOOSEN SEEDBED BY DISING TO A 4" DEPTH.
  - SEED WITH SUMMER - PERENNIAL OR ANNUAL RYEGRASS AT 30 LBS PER ACRE FALL/WINTER - ARDOSTOOK WINTER RYE AT 100 LBS PER ACRE
  - MULCH WITH 2 TONS PER ACRE OF BLOWN AND CHOPPED HAY.
  - WHERE NOTED ON THE PLAN, AND ON SLOPES GREATER THAN OR EQUAL TO 3:1, PROVIDE SOIL STABILIZATION MATTING.
- AFTER COMPLETION OF SITE CONSTRUCTION, FINE GRADE AND SPREAD TOPSOIL ON ALL LAWN AREAS AND SEED WITH PERMANENT LAWN MIX AS FOLLOWS (SEE LANDSCAPE PLAN FOR OTHER PLANTING INFORMATION):
  - LIME TOPSOIL TO pH 6.0.
  - FERTILIZE WITH 600 LBS PER ACRE OF 5-10-10.
  - SEED REQUIREMENTS - SEE LANDSCAPE PLAN.
  - MULCH AS DESCRIBED FOR TEMPORARY SEEDING (NOTE 15C ABOVE).
- DURING THE PROGRESS OF CONSTRUCTION, AND ESPECIALLY AFTER RAIN EVENTS, MAINTAIN ALL SEDIMENT TRAPS, BARRIERS, AND FILLS AS NECESSARY TO PREVENT THEIR BEING CLOGGED WITH SEDIMENT. RE-STABILIZE ANY AREAS THAT MAY HAVE ERODED.
- MAINTAIN ALL SEEDED AND PLANTED AREAS TO INSURE A VIABLE STABILIZED VEGETATIVE COVER.
- MAINTAIN COPIES OF THE CONSTRUCTION LOGBOOK, STORMWATER POLLUTION PREVENTION PLAN (SWPPP) NOTICE OF INTENT (NOI), PERMITS, AND SITE PLANS ON-SITE AT ALL TIMES DURING CONSTRUCTION.
- A RAIN GAUGE WILL BE MAINTAINED ON-SITE AT ALL TIMES. READINGS SHALL BE TAKEN ON A DAILY BASIS AND LOGGED.



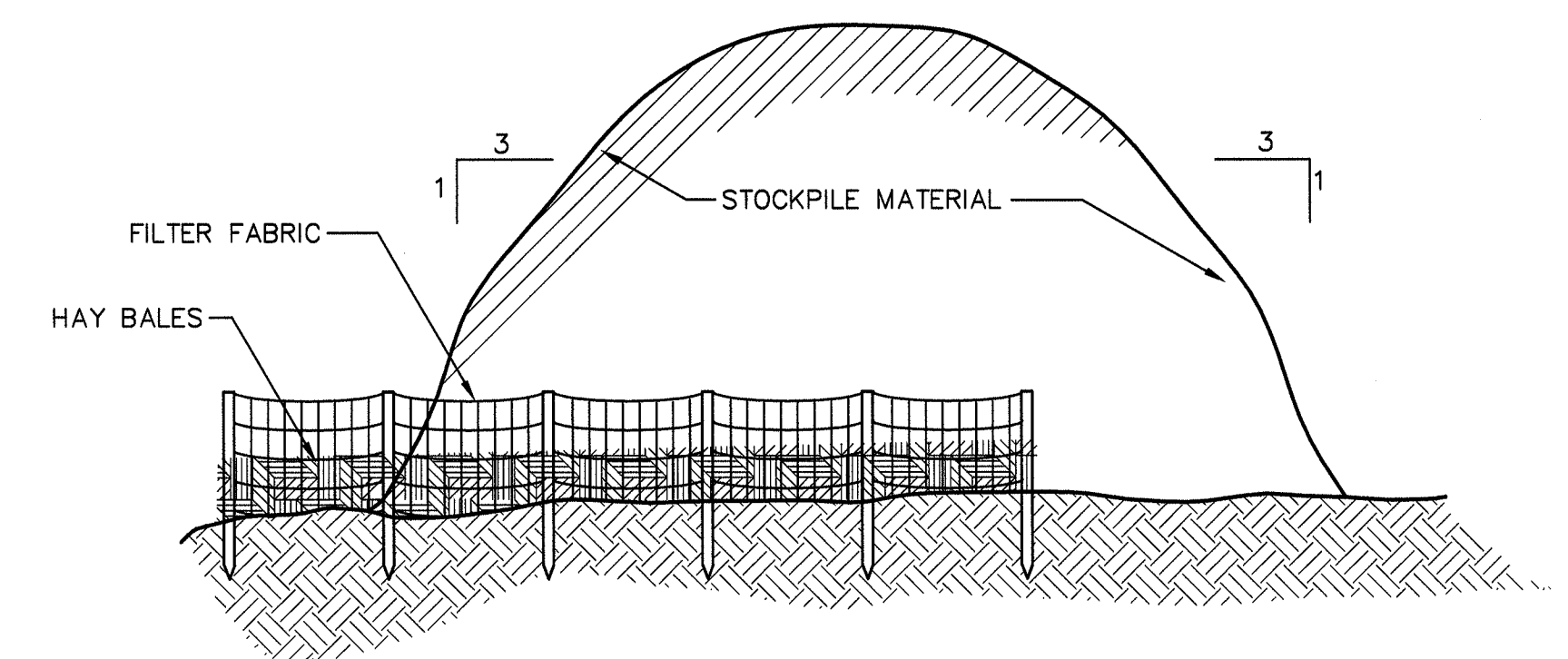
**TRAPEZOIDAL CROSS-SECTION**

**CONSTRUCTION SPECIFICATIONS**

- ALL TREES, BRUSH, STUMPS, OBSTRUCTIONS, AND OTHER OBJECTIONABLE MATERIAL SHALL BE REMOVED AND DISPOSED OF SO AS NOT TO INTERFERE WITH THE PROPER FUNCTIONING OF THE DIVERSION.
- THE DIVERSION SHALL BE EXCAVATED OR SHAPED TO LINE, GRADE, AND CROSS SECTION AS REQUIRED TO MEET THE CRITERIA SPECIFIED HEREIN, AND BE FREE OF BANK PROJECTIONS OR OTHER IRREGULARITIES WHICH WILL IMPEDE NORMAL FLOW.
- FILLS SHALL BE COMPACTED AS NEEDED TO PREVENT UNEQUAL SETTLEMENT THAT WOULD CAUSE DAMAGE IN THE COMPLETE DIVERSION.
- ALL EARTH REMOVED AND NOT NEEDED IN CONSTRUCTION SHALL BE STOCKPILED FOR RESTORATION OF THE AREA SO THAT IT WILL NOT INTERFERE WITH THE FUNCTIONING OF THE DIVERSION.
- STABILIZATION SHALL BE DONE ACCORDING TO THE APPROPRIATE STANDARD AND SPECIFICATIONS FOR VEGETATIVE PRACTICES.
  - FOR DESIGN VELOCITIES OF MORE THAN 3.5 FT. PER SEC., THE DIVERSION SHALL BE STABILIZED WITH SOD, WITH SEEDING PROTECTED BY JUTE OR EXCELSIOR MATTING OR WITH SEEDING AND MULCHING INCLUDING TEMPORARY DIVERSION OF THE WATER UNTIL THE VEGETATION IS ESTABLISHED.

**TEMPORARY DIVERSION SWALE**

NOT TO SCALE



**TYPICAL STOCKPILE DETAIL**

NOT TO SCALE

NOTE: SEE DETAILS FOR INSTALLATION OF FILTER FABRIC & HAYBALES

COPYRIGHT 2012, LANC & TULLY, P.C.



THIS EROSION CONTROL PLAN SHALL BE USED FOR EROSION CONTROL METHODS AND LOCATIONS ONLY. DO NOT USE THIS PLAN FOR BUILDING, PAVED AREA, UTILITY LOCATIONS, ect.

THE OWNER/CONTRACTOR IS ASSIGNED THE RESPONSIBILITY FOR THE CONSTRUCTION AND MAINTENANCE OF THE MEASURES AS DETAILED ON THIS PLAN AND ACCOMPANYING TECHNICAL SPECIFICATIONS

COPIES FROM THE ORIGINAL OF THIS DOCUMENT NOT MARKED WITH AN ORIGINAL OF THE PROFESSIONAL ENGINEER'S AND/OR LAND SURVEYOR'S STAMP OR EMBOSSED SEAL SHALL NOT BE CONSIDERED VALID, TRUE COPIES.

UNAUTHORIZED ALTERATION OR ADDITION TO THIS DOCUMENT IS A VIOLATION OF SECTION 7209-2 OF THE NEW YORK STATE EDUCATION LAW.

<b>LANC &amp; TULLY</b> ENGINEERING AND SURVEYING, P.C. P.O. Box 687, Rt. 207 Goshen, N.Y. 10924 (845) 294-3700		Date: OCTOBER 8, 2012 Revisions: NOVEMBER 30, 2012
<b>SEDIMENT &amp; EROSION CONTROL DETAILS</b> PREPARED FOR		
<b>GLENMERE PRESERVE</b> VILLAGE OF FLORIDA ORANGE COUNTY, NEW YORK		Drawing No.: 15 OF 18
Drawn By: COD	Checked By:	Scale: AS NOTED Tax Map No.: 113-4-2.1,2,2.7,2.16 A - 04 - 0178 - 15